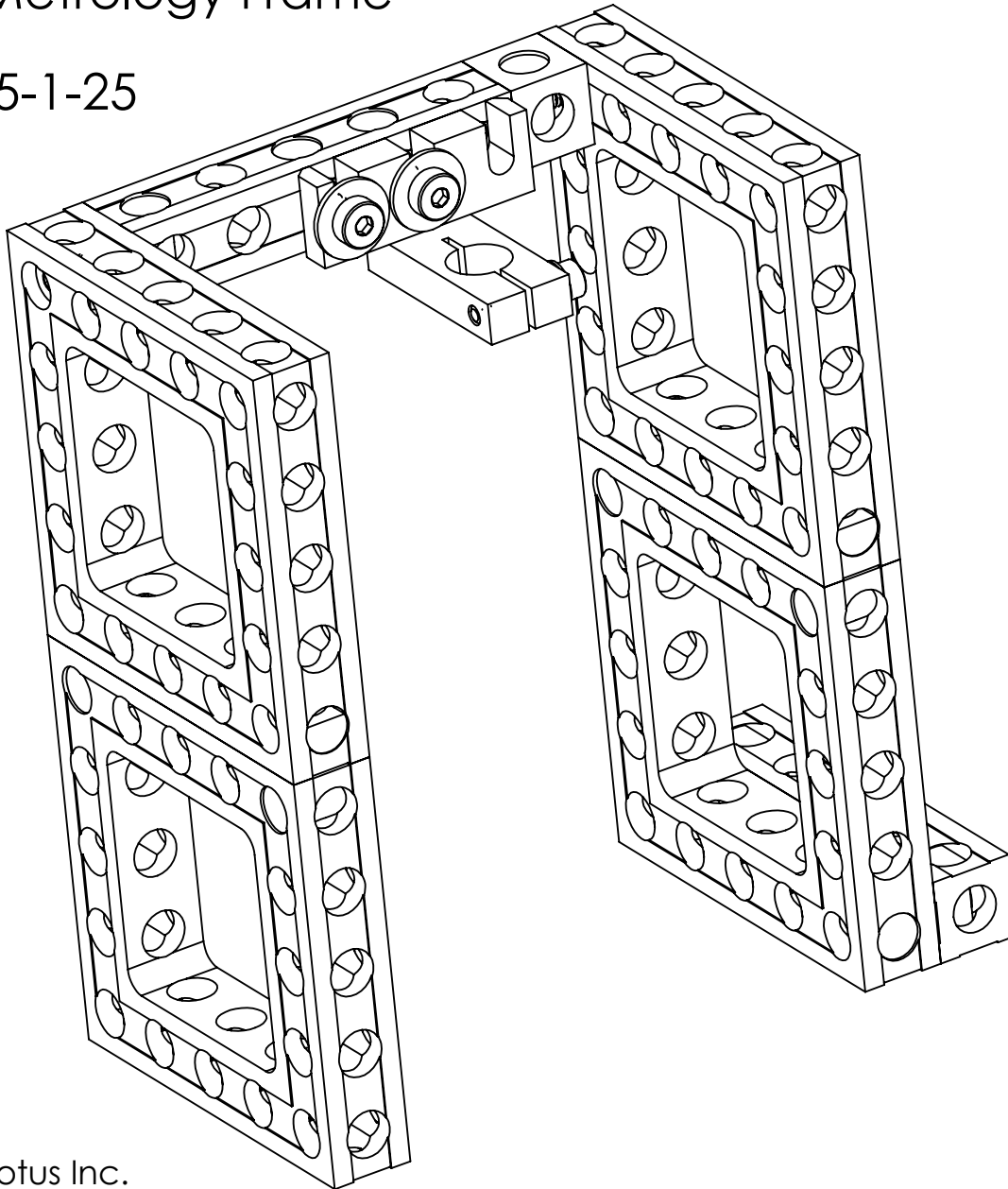


Bill of Materials

ASPE 2014 Metrology Frame

Rev 1B: 2015-1-25

Scale: 1:1



PART NUMBER	QTY.
B11-1-1-N	1
B11-5-5-N	4
B11-5-1-N	2
C11-1.5-9.5-N	1
M3 washer	1
M3 X 14 mm screw	1
M4 washer	2
M4 X 16 mm screw	10
T11-1-M4	10
W11-1-M4	8

Motus Mechanical

For more information, visit:
www.MotusMechanical.com

ASPE 2014 Metrology Frame

A4