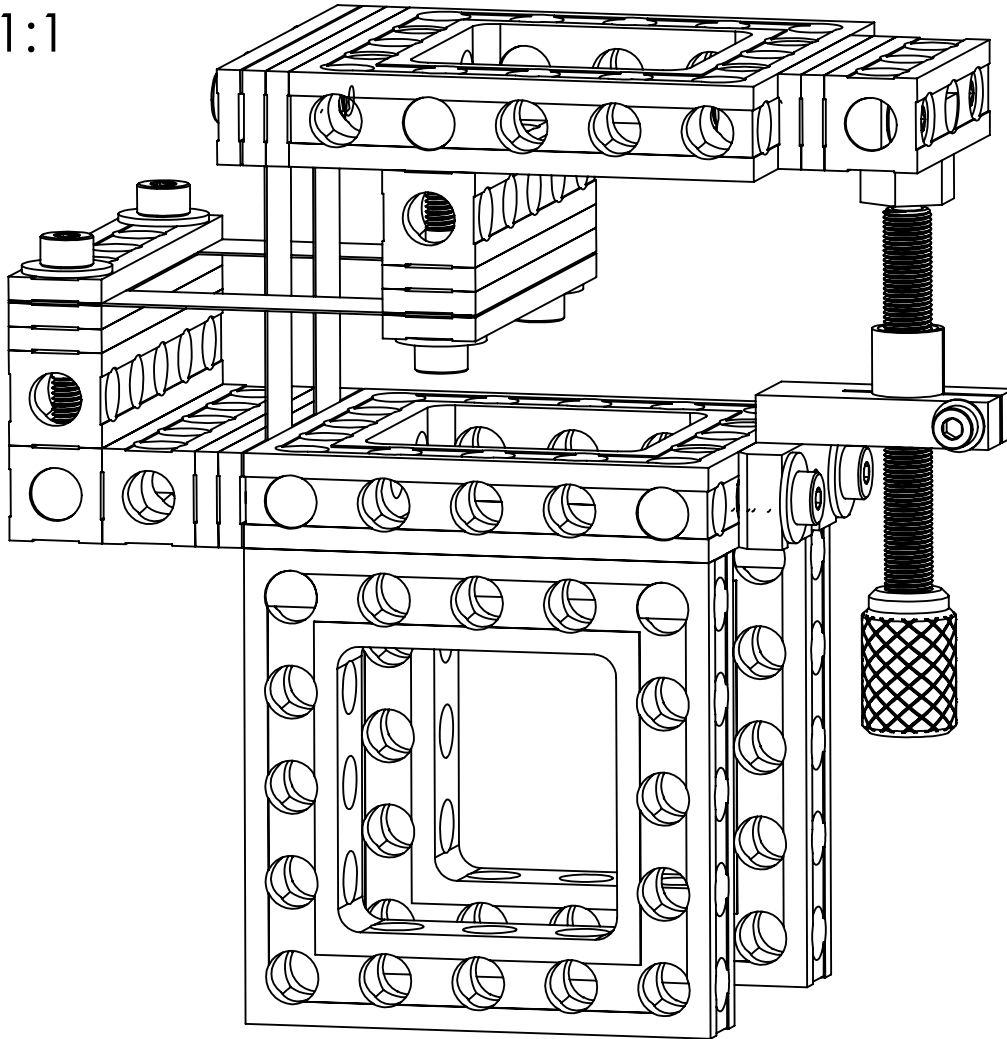


# Bill of Materials

## Cross-hinge Rotary Translation Stage

Rev 1B: 2015-1-25

Scale: 1:1



PART NUMBER	QTY.
AR11-9.5-8	1
A10-50.8-6.35-TS	1
B10-5-0.25-EC	11
B11-3-1-N	1
B11-3-0.25-EC	2
B11-5-5-N	4
B11-5-1-N	4
C11-1.5-9.5-N	1
CP10-1-0.5-FL	1
LS10-5-1-300-N	4
M3 washer	1
M3 X 14 mm screw	1
M4 washer	8
M4 X 12 mm screw	1
M4 X 16 mm screw	6
M4 X 20 mm screw	2
M4 X 25 mm screw	2
M4 X 35 mm screw	6
T11-1-M4	16
W11-1-M4	9

Motus Mechanical

For more information, visit:  
[www.MotusMechanical.com](http://www.MotusMechanical.com)

Cross-hinge Rotary Translation Stage

A4