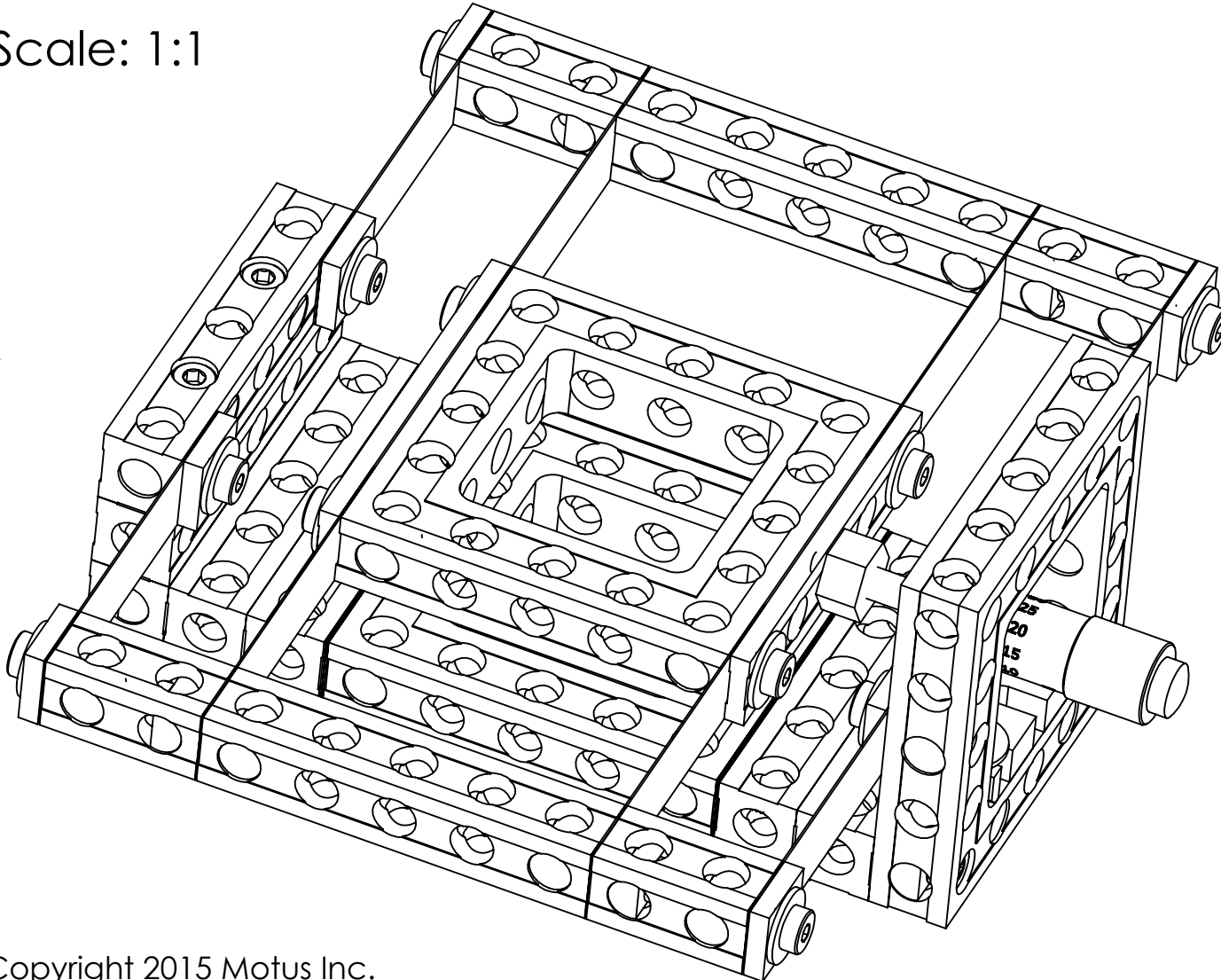


Bill of Materials

Double Compound Linear Translation Stage

Rev 1B: 2015-1-25

Scale: 1:1



PART NUMBER	QTY.
A10-13-5-9.5-MRS	1
B10-1-0.25-EC	8
B10-5-0.25-EC	2
B11-2-1-N	4
B11-5-5-N	3
B11-5-1-N	9
C11-1.5-9.5-N	1
CP10-1-0.5-FL	1
LS10-5-1-300-N	12
M3 washer	1
M3 X 14 mm screw	1
M4 washer	14
M4 X 16 mm screw	19
M4 X 30 mm screw	2
M4 X 45 mm screw	4
T11-1-M4	24
W11-1-M4	11

Motus Mechanical

For more information, visit:
www.MotusMechanical.com

Double Compound Linear Translation Stage

A4