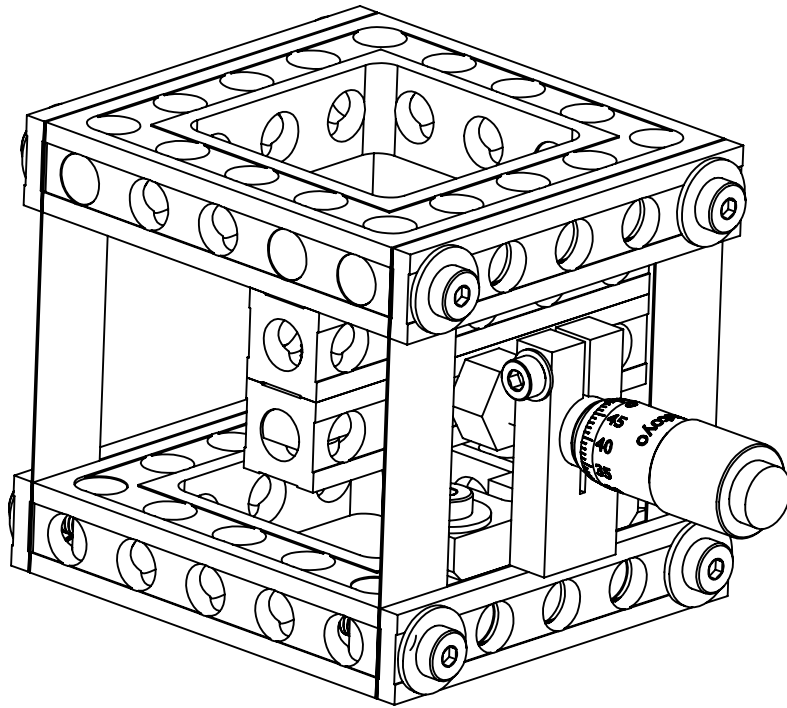


Bill of Materials

Four-bar Arcuate Translation Stage

Rev 1B: 2015-1-25

Scale: 1:1



PART NUMBER	QTY.
A10-13-5-9.5-MRS	1
B11-5-5-N	2
B11-5-1-N	2
B11-5-0.25-EC	4
C11-1.5-9.5-N	1
CP10-1-0.5-FL	1
LS10-5-1-300-N	4
M3 washer	1
M3 X 14 mm screw	1
M4 washer	10
M4 X 12mm screw	1
M4 X 16mm screw	10
M4 X 30 mm screw	2
T11-1-M4	12
W11-1-M4	3

Motus Mechanical

For more information, visit:
www.MotusMechanical.com

Four-bar Arcuate Translation Stage

A4