

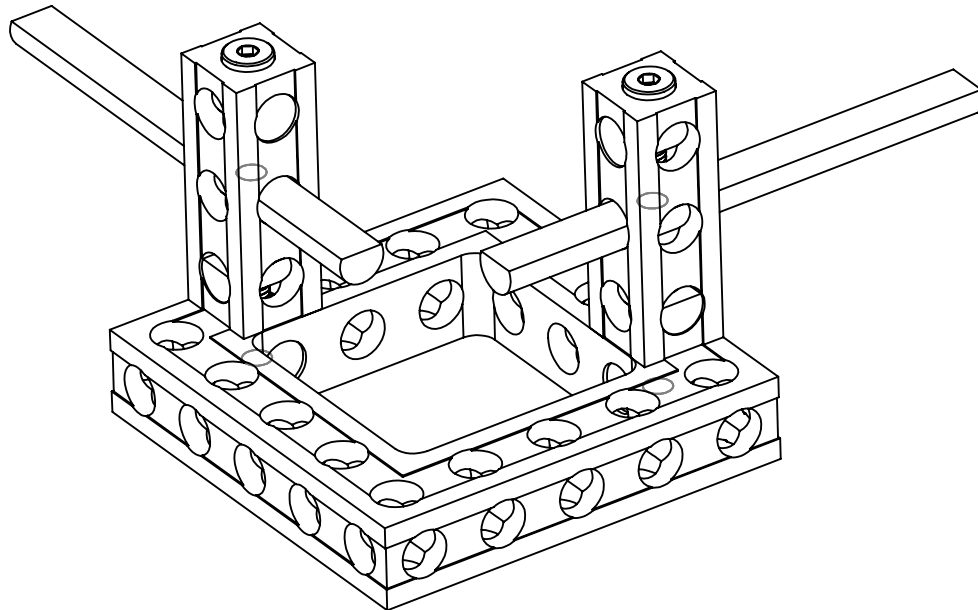
Bill of Materials

Positive Stop

Rev 1B: 2015-1-25

Scale: 1:1

PART NUMBER	QTY.
B11-3-1-N	2
B11-5-5-N	1
M4 X 16 mm screw	4
RAIL-STP-6	2
T11-1-M4	4
W11-1-M4	2



Motus Mechanical

For more information, visit:
www.MotusMechanical.com

Positive Stop

A4