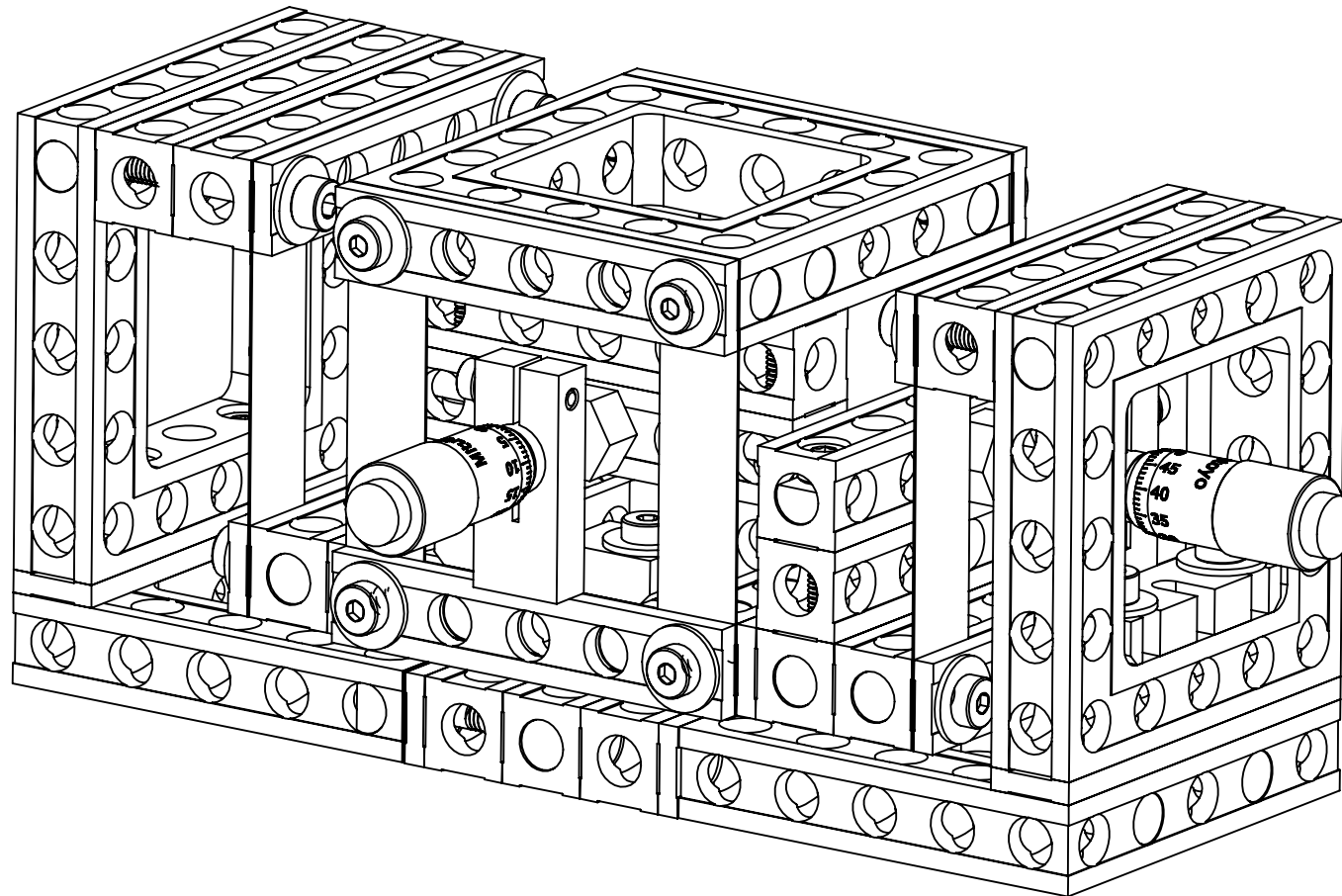


Bill of Materials

Two-axis Arcuate Translation Stage

Rev 1B: 2015-1-23

Scale: 1:1



PART NUMBER	QTY.
A10-13-5-9.5-MRS	2
B11-5-5-N	6
B11-5-1-N	13
B11-5-0.25-EC	14
C11-1.5-9.5-N	2
CP10-1-0.5-FL	2
LS10-5-1-300-N	10
M3 washer	2
M3 X 14 mm screw	2
M4 washer	20
M4 X 12mm screw	2
M4 X 16mm screw	12
M4 X 20 mm screw	4
M4 X 25mm screw	4
M4 X 30 mm screw	4
M4 X 35mm screw	8
M4 X 40 mm screw	2
T11-1-M4	34
W11-1-M4	16

Motus Mechanical

For more information, visit:
www.MotusMechanical.com

Two-axis Arcuate Translation Stage

A4