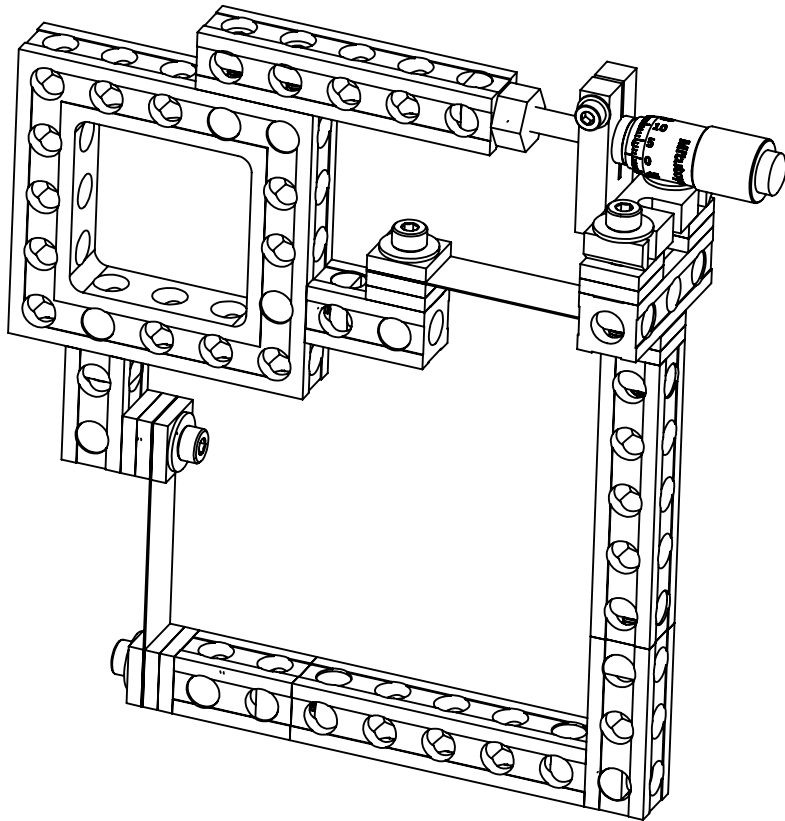


Bill of Materials

Virtual-axis Rotary Translation Stage

Rev 1B: 2015-1-25

Scale: 2:3



PART NUMBER	QTY.
A10-13-5-9.5-MRS	1
B10-1-0.25-EC	15
B11-2-1-N	3
B11-3-1-N	2
B11-5-5-N	1
B11-5-1-N	3
C11-1.5-9.5-N	1
CP10-1-0.5-FL	1
LS10-5-1-300-N	2
M3 washer	1
M3 X 14 mm screw	1
M4 washer	5
M4 X 12 mm screw	1
M4 X 16 mm screw	8
M4 X 20 mm screw	3
M4 X 25 mm screw	3
T11-1-M4	13
W11-1-M4	9

Motus Mechanical

For more information, visit:
www.MotusMechanical.com

Virtual-axis Rotary Translation Stage

A4