

A

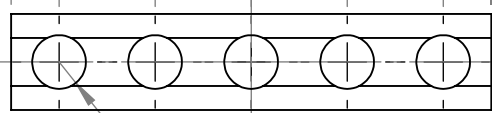
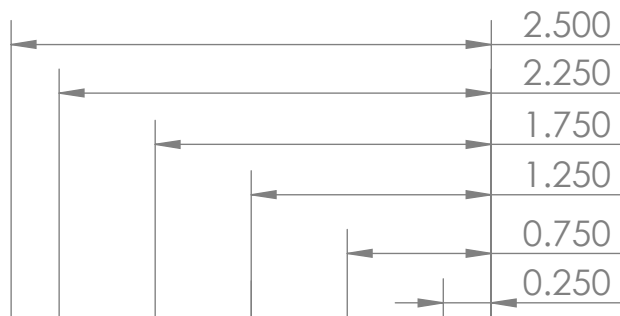
B

C

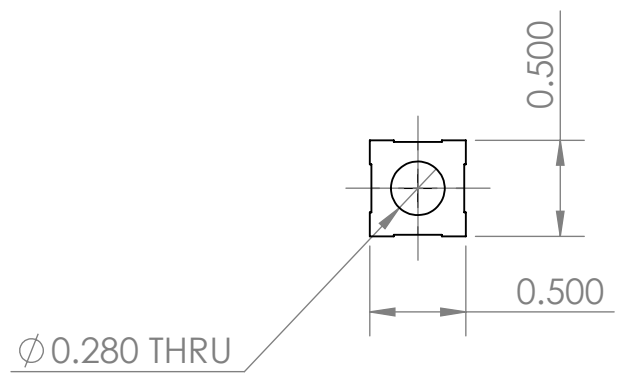
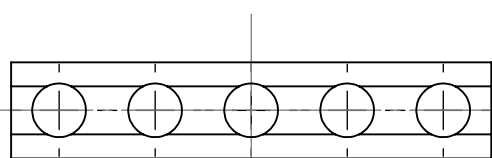
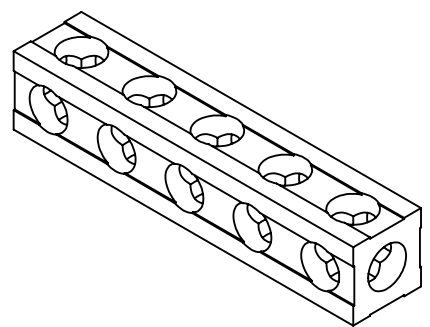
D

E

F



5 X ϕ 0.280 THRU



Not for manufacturing purposes.
MechBlocks are patent pending.

All dimensions are in inches.

Copyright 2014 Motus Inc.

Motus Inc.	
For more information, visit: www.MotusMechanical.com	
DWG NO.	B11-5-1-N
	A4
SCALE: 1:2	SHEET 1 OF 1