

A

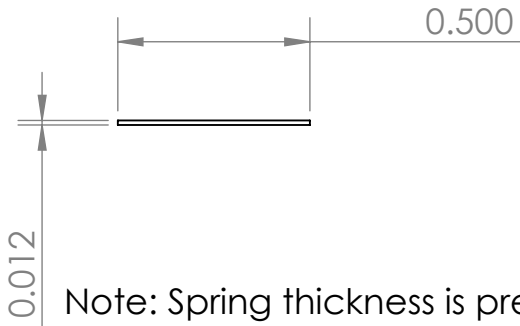
B

C

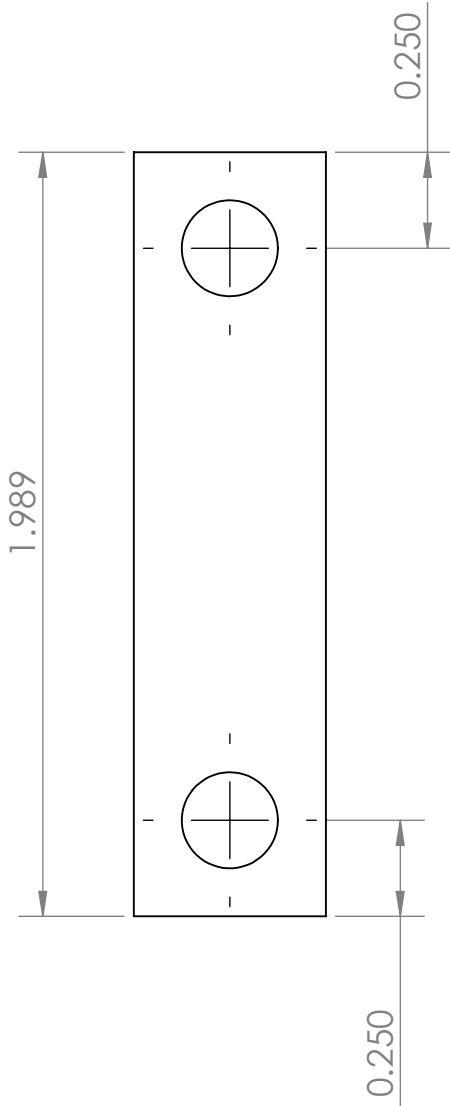
D

E

F



Note: Spring thickness is precision ground to tight tolerance.



Not for manufacturing purposes.  
MechBlocks are patent pending.

All dimensions are in inches.  
Tolerances  $\pm 0.005$  inch unless otherwise noted.

Copyright 2014 Motus Inc.

Motus Inc.

For more information, visit:  
[www.MotusMechanical.com](http://www.MotusMechanical.com)

DWG NO.

**LS10-4-1-300-N**

A4