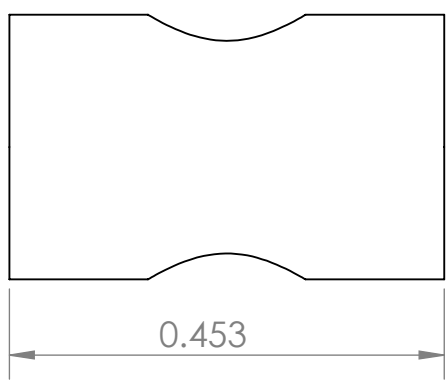
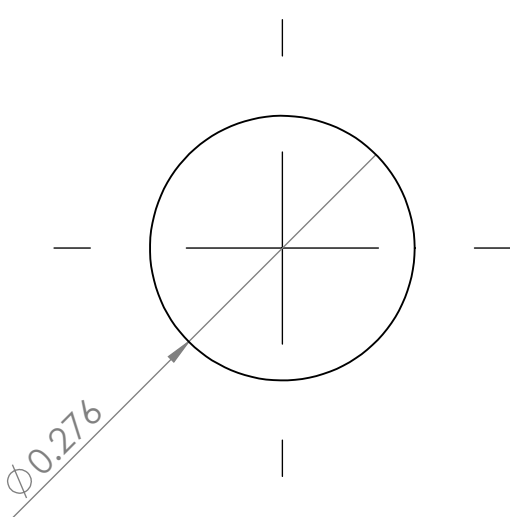
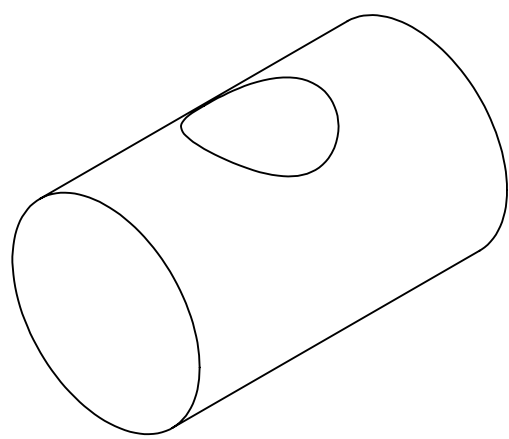


#8-32 THRU



Not for manufacturing purposes.
MechBlocks are patent pending.

All dimensions are in inches.

Copyright 2014 Motus Inc.

Motus Inc.	
For more information, visit: www.MotusMechanical.com	
DWG NO.	T11-1-832
	A4
SCALE:5:1	SHEET 1 OF 1