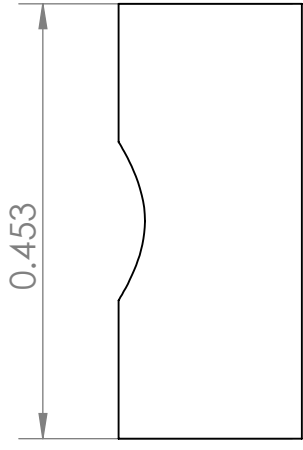
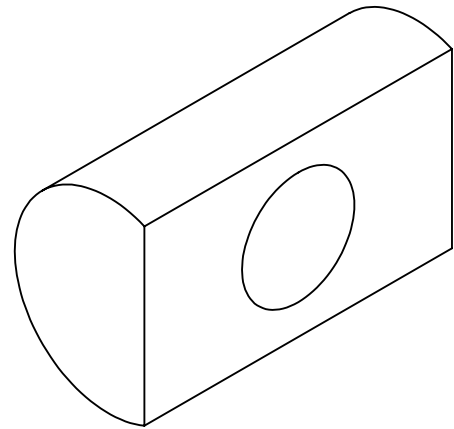


A

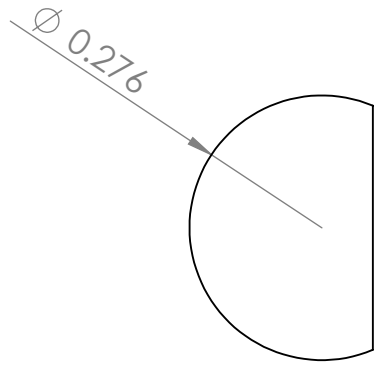


B

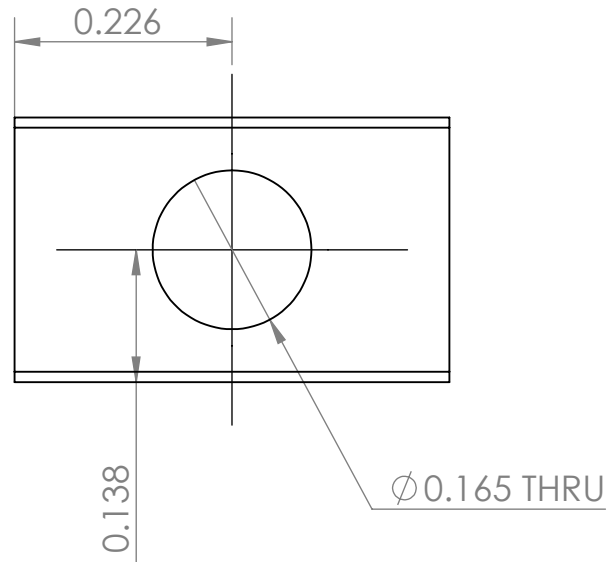


C

D



E



F

Not for manufacturing purposes.
MechBlocks are patent pending.

All dimensions are in inches.

Copyright 2014 Motus Inc.

Motus Inc.	
For more information, visit: www.MotusMechanical.com	
DWG NO.	W11-1-M4
	A4
SCALE:5:1	SHEET 1 OF 1