

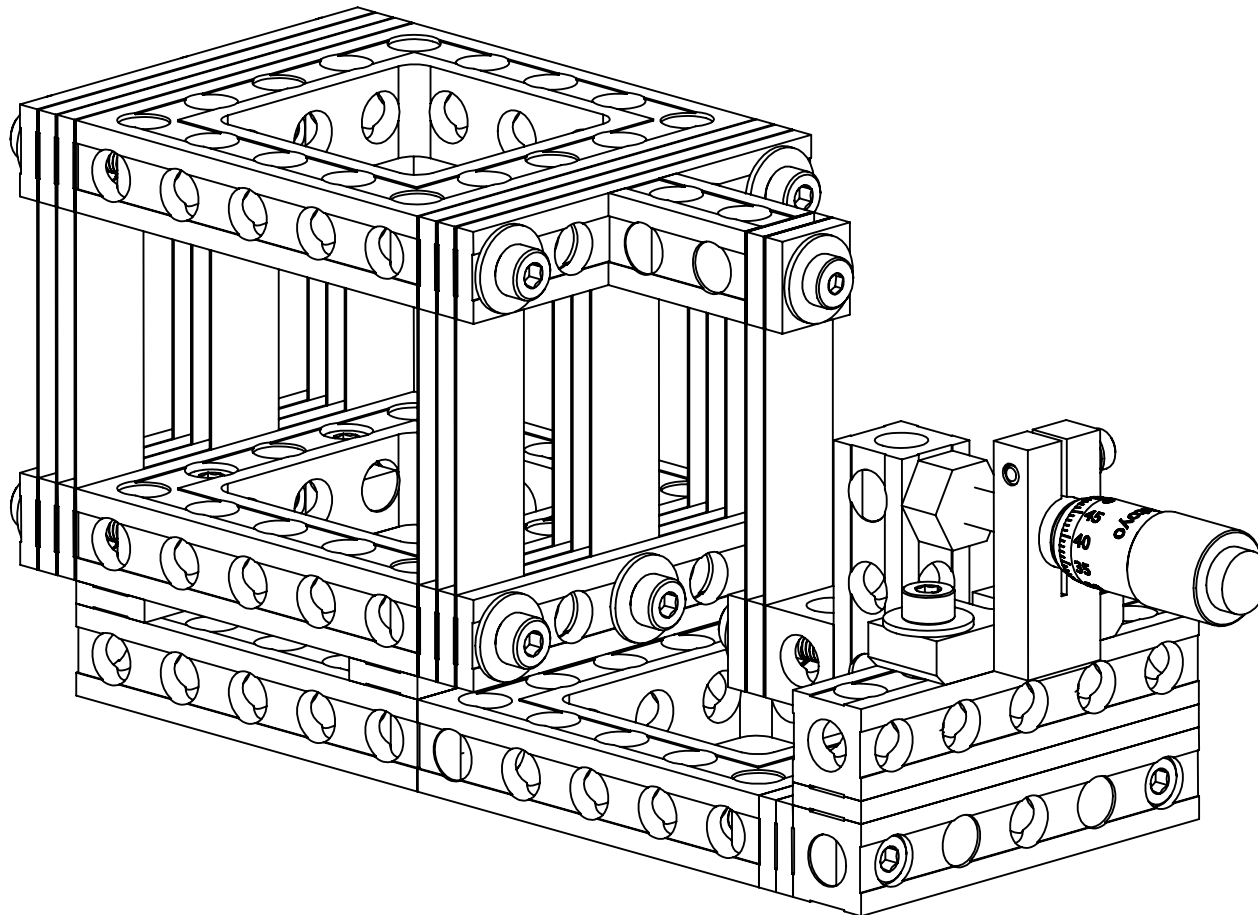
Bill of Materials

Hard-spring, Soft-spring Attenuator

Rev 1B: 2015-1-25

Scale: 1:1

PART NUMBER	QTY.
A10-13-5-9.5-MRS	1
B10-1-0.25-EC	4
B10-5-0.25-EC	17
B11-1-1-N	1
B11-2-1-N	1
B11-3-1-N	1
B11-5-5-N	4
B11-5-1-N	2
C11-1.5-9.5-N	1
CP10-1-0.5-FL	1
LS10-5-1-300-N	20
M3 washer	1
M3 X 14 mm screw	1
M4 washer	15
M4 X 12mm screw	1
M4 X 16 mm screw	3
M4 X 20 mm screw	15
M4 X 25 mm screw	2
M4 X 30 mm screw	2
M4 X 35 mm screw	2
T11-1-M4	24
W11-1-M4	10



Motus Mechanical

For more information, visit:
www.MotusMechanical.com

Hard-spring, Soft-spring Attenuator

A4