

A

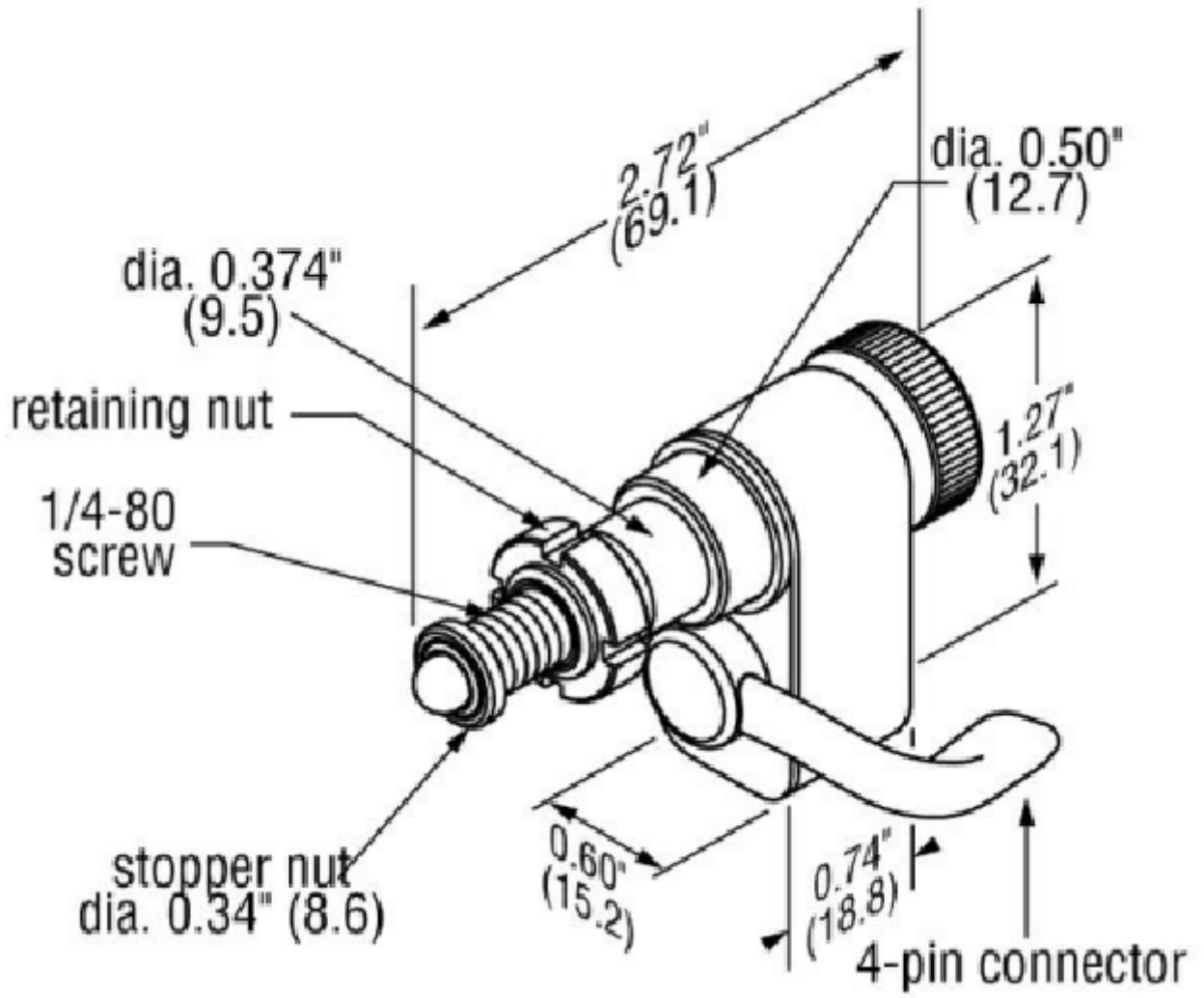
B

C

D

E

F



Not for manufacturing purposes.  
 MechBlocks are patent pending.

Tolerances  $\pm 0.05$  mm unless otherwise noted.

Copyright 2014 Motus Inc.

Motus Inc.

For more information, visit:  
[www.MotusMechanical.com](http://www.MotusMechanical.com)

DWG NO.

**A10-12.7-9.5-PCM**

A4

SCALE:1:1

SHEET 1 OF 1