

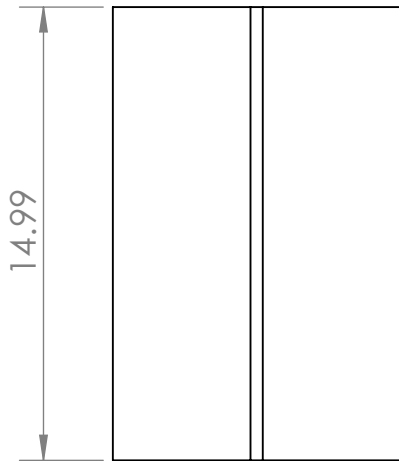
1

2

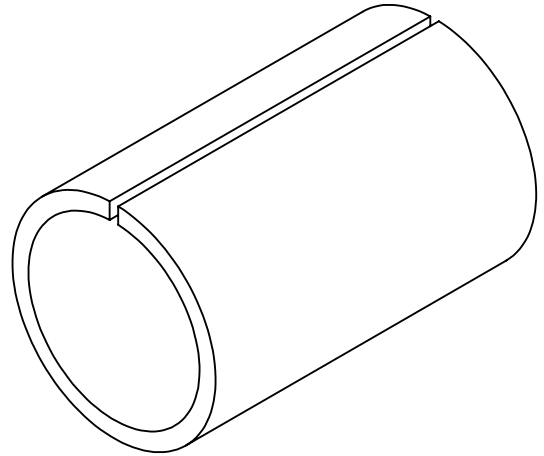
3

4

A

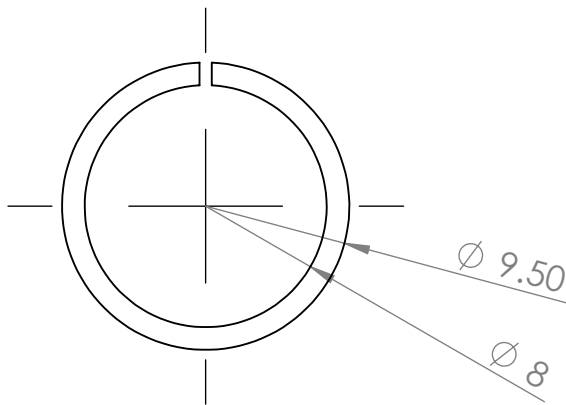


B



C

D



E

F

Not for manufacturing purposes.
MechBlocks are patent pending.

Dimensions are in millimeters.

Copyright 2014 Motus Inc.

Motus Inc.

For more information, visit:
www.MotusMechanical.com

DWG NO.

AR11-9.5-8

A4

SCALE:2:1

SHEET 1 OF 1