

A

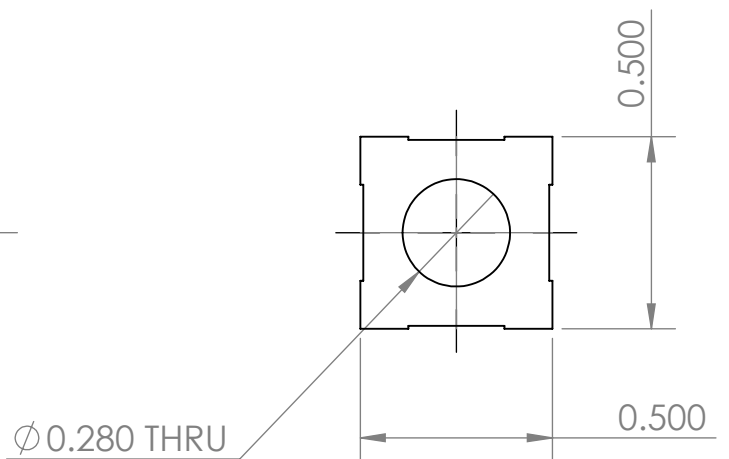
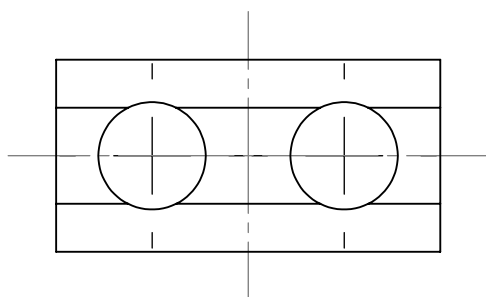
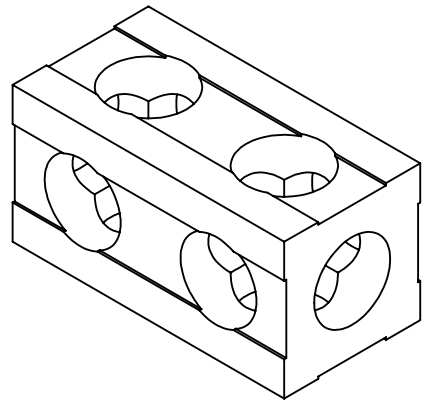
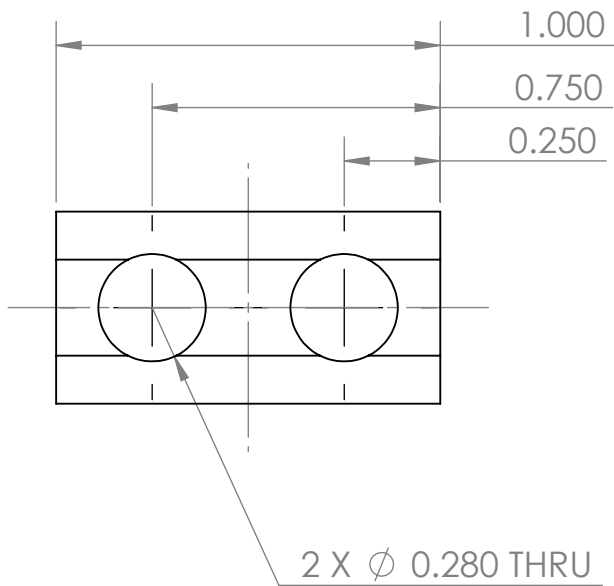
B

C

D

E

F



Not for manufacturing purposes.  
MechBlocks are patent pending.

All dimensions are in inches.

Copyright 2014 Motus Inc.

Motus Inc.

For more information, visit:  
[www.MotusMechanical.com](http://www.MotusMechanical.com)

DWG NO.

**B11-2-1-N**

A4

SCALE:2:1

SHEET 1 OF 1