

A

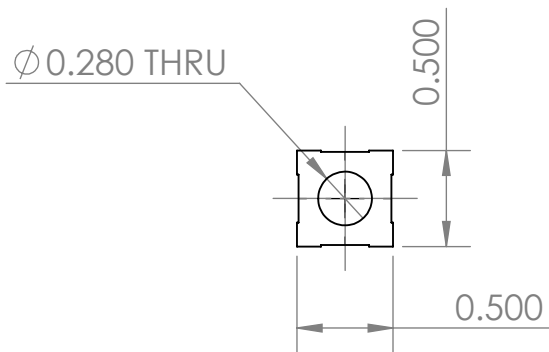
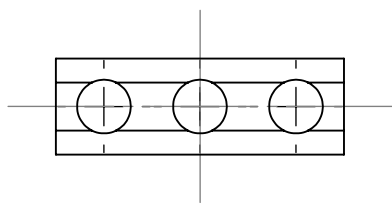
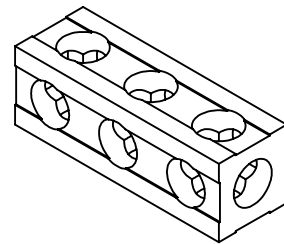
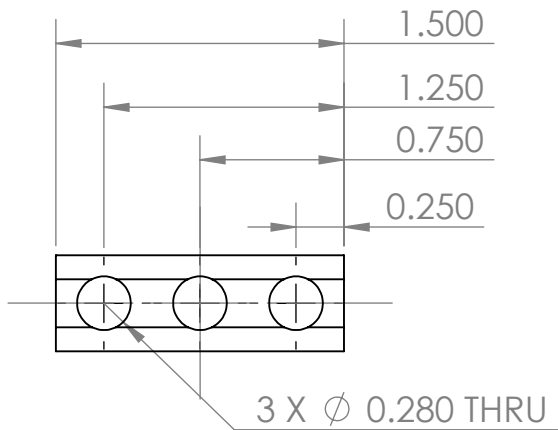
B

C

D

E

F



Not for manufacturing purposes.
MechBlocks are patent pending.

All dimensions are in inches.

Copyright 2014 Motus Inc.

Motus Inc.

For more information, visit:
www.MotusMechanical.com

DWG NO.

B11-3-1-N

A4

SCALE:1:1

SHEET 1 OF 1