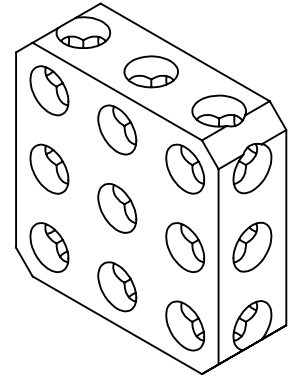
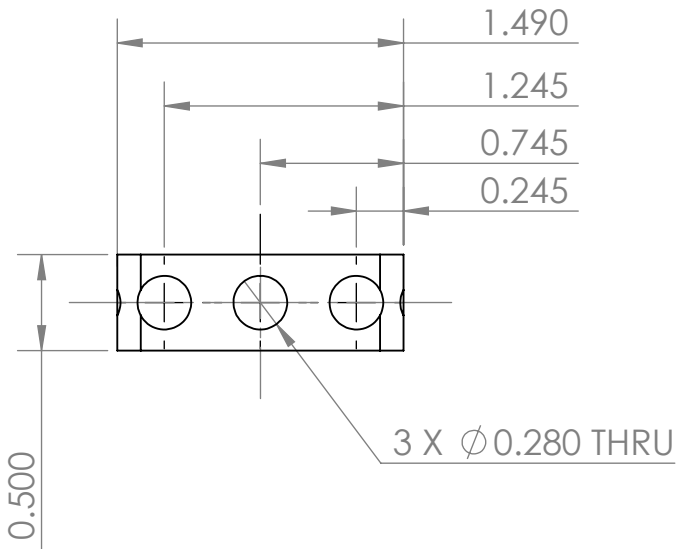
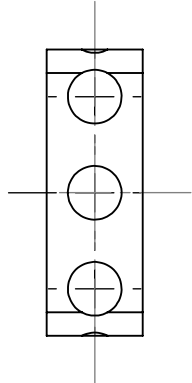
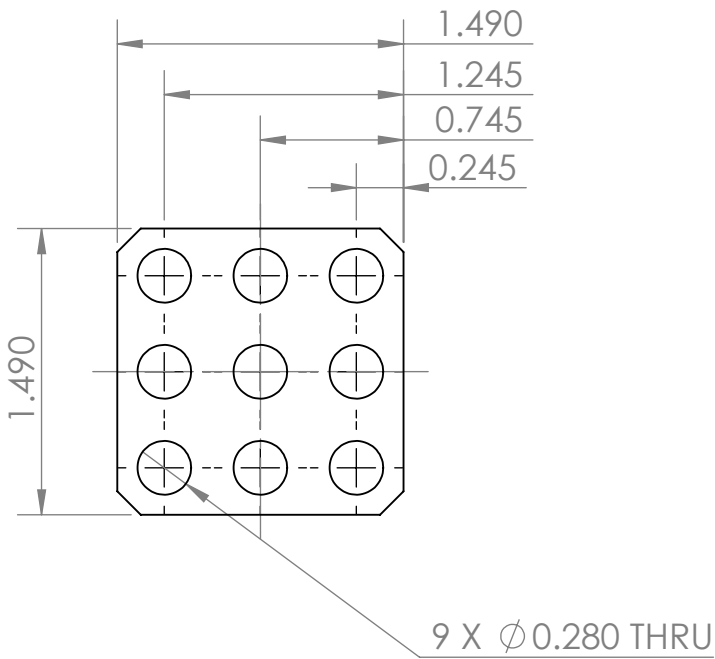


A



C



D

E

F

Not for manufacturing purposes.  
MechBlocks are patent pending.

All dimensions are in inches.  
Copyright 2014 Motus Inc.

Motus Inc.	
For more information, visit: <a href="http://www.MotusMechanical.com">www.MotusMechanical.com</a>	
DWG NO.	<b>B11-3-3-N</b>
	A4
SCALE:1:1	SHEET 1 OF 1