

A

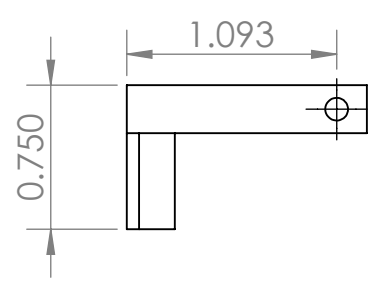
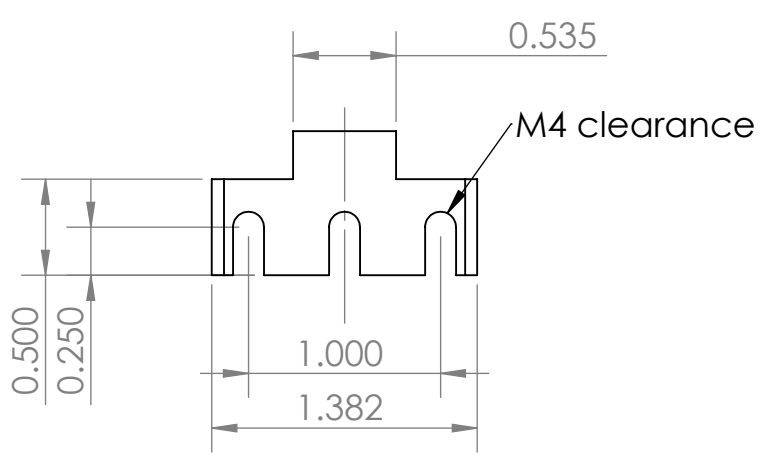
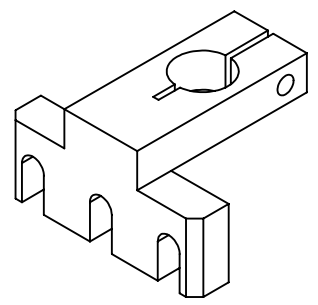
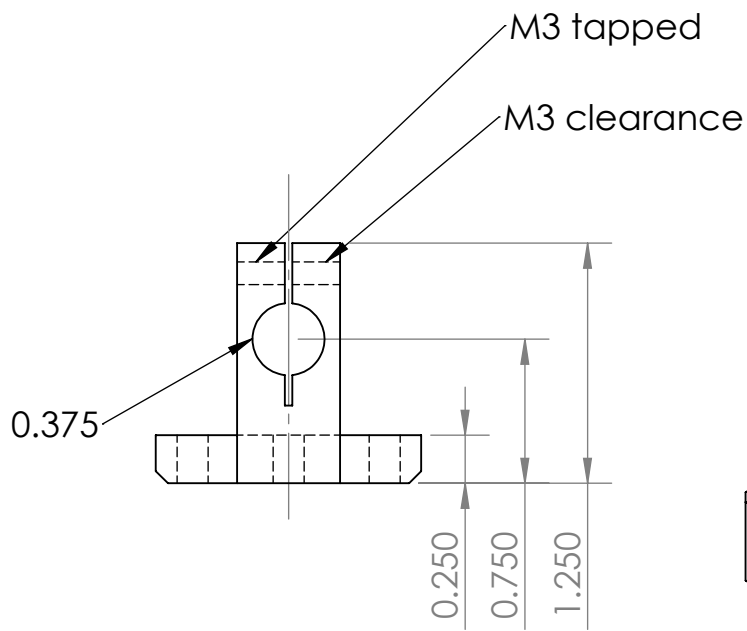
B

C

D

E

F



Not for manufacturing purposes.  
MechBlocks are patent pending.

All dimensions are in inches.

Copyright 2014 Motus Inc.

Motus Inc.

For more information, visit:  
[www.MotusMechanical.com](http://www.MotusMechanical.com)

DWG NO.	C11-1.5-9.5-N	A4
---------	---------------	----